

SWIMMING POOL INFORMATION				
POOL DIMENSION		UPRIGHT QTY PER POOL	MIN. STEEL WALL YIELD STRENGTH (MPA)	MIN. ALUMINUM WALL YIELD STRENGTH (MPA)
POOL SIZE (D)(ft/m)	POOL RADIUS (ft/m)			
12'(3.66m)	6'(1.83m)	8	REFER TO LATEST POOL WALL DRAWING SPECIFICATIONS 3670-01	N/A
15'(4.57m)	7'6"(2.32m)	10		
18'(5.5m)	9'(2.74m)	12		
21'(6.4m)	10'6"(3.23m)	14		
24'(7.32m)	12'(3.66m)	16		
27'(7.63m)	13'6"(3.815m)	18		
30'(9.14m)	15'(4.57m)	20		
33'(10.06m)	16'6"(5.03)	22		
POOL HEIGHT (H)	WATER LEVEL			
52"	46.262"			
54"	48.262"			

TOLÉRANCE GÉNÉRALE / GENERAL TOLERANCE	
PROCÉDÉ / PROCESS	N/A
DEC.	N/A
ANGLE	N/A
UNITS:	INCH (MM)
REF. SCALE	

**SUN** ab

4000 Boul. Casavant Ouest, Saint-Hyacinthe, (Quebec) Quebec, Canada, J2S 9E3  
T (450) 774-6953 F (450) 774-4970

PROJET / PROJECT: **COMPLIANCE TO APSP-4**

DESCRIPTION: **S500 SERIES SWIMMING POOLS 52"-54"**

NO. PIÈCE / PARTNO: N/A	VOLUME: N/A
MATÉRIAU / MATERIAL: N/A	POIDS / WEIGHT: N/A
FINITION / FINISH: N/A	<b>REV: 0</b>

DESS. PAR / DRAW BY: BLAMBERT DATE: 2025-06-10  
APP. PAR / APP. BY: SEE PAGE 3 DATE: 2025-06-13

DWG SIZE **B** ECHELLE / SCALE: N/A PAGE / SHEET 1 OF 3

**DROITS D'AUTEUR / COPYRIGHT**  
LE PRÉSENT DOCUMENT ET TOUTES INFORMATIONS AFFÉRENTES SONT LA PROPRIÉTÉ UNIQUE DU GROUPE VIF INC. TOUTE REPRODUCTION EN TOUT OU EN PARTIE EST INTERDITE SANS L'AUTORISATION ÉCRITE DU CLIENT.  
ALL INFORMATION CONTAINED OR PERTAINING TO THIS DOCUMENT IS THE SOLE PROPERTY OF GROUPE VIF INC. ANY REPRODUCTION IN PART OR AS A WHOLE WITHOUT THE WRITTEN AUTHORIZATION OF THE CLIENT IS FORBIDDEN.

8 7 6 5 4 3 2 1

D

D

C

C

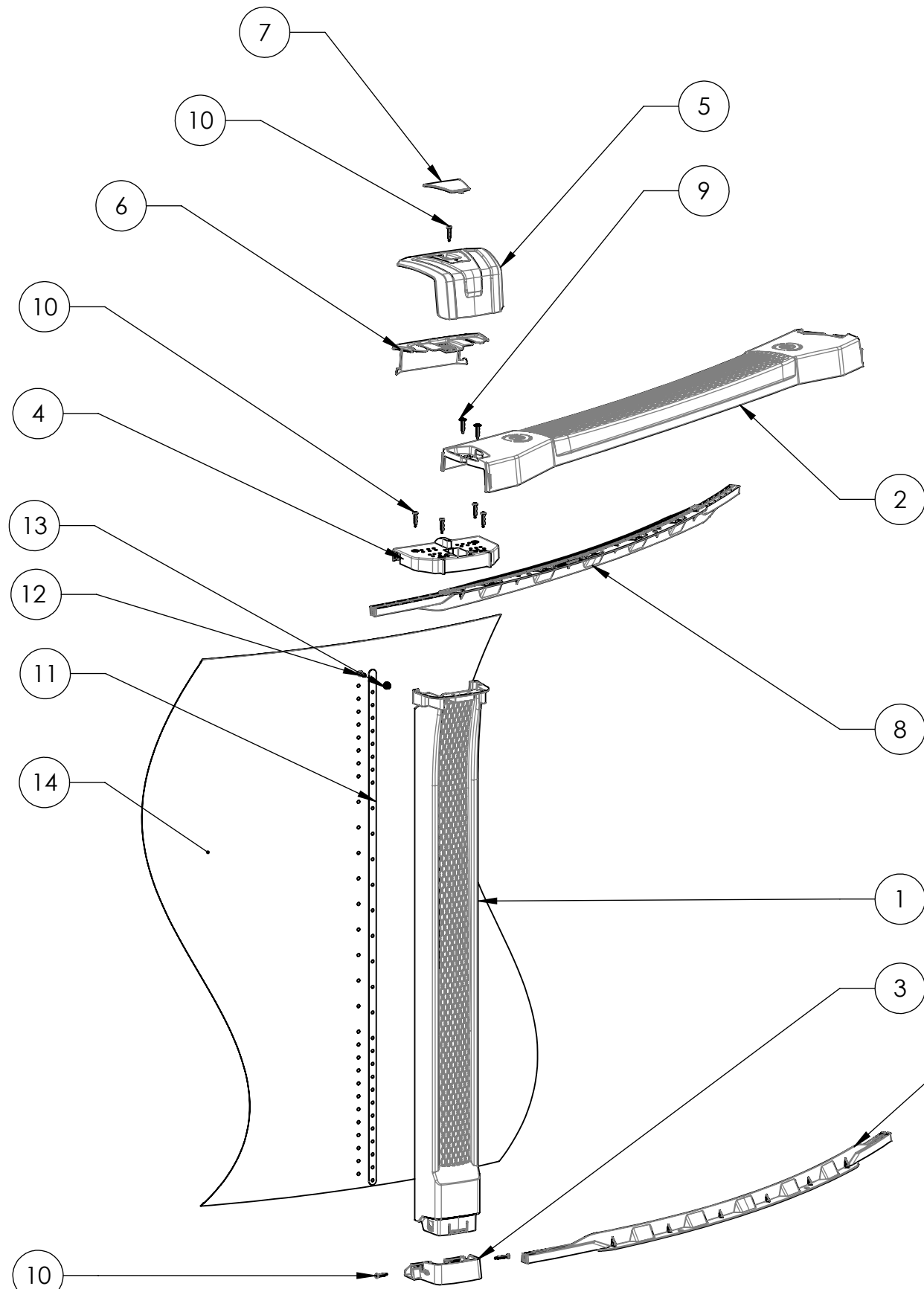
B

B

A

A

ITEM #	PART CODE	DESCRIPTION	Quantity Per Size							
			12'	15'	18'	21'	24'	27'	30'	33'
1	PS500U52   PS500U54	POOL S500 UPRIGHT 52"/ 54"	8	10	12	14	16	18	20	22
2	PS500L	POOL S500 TOP SEAT	8	10	12	14	16	18	20	22
3	PZPB	POOL MULTI SERIES BOTTOM PLATE	8	10	12	14	16	18	20	22
4	PZPT	POOL MULTI SERIES TOP PLATE	8	10	12	14	16	18	20	22
5	PS500CF	POOL S500 COVER FRONT	8	10	12	14	16	18	20	22
6	PS500CB	POOL S500 COVER BACK	8	10	12	14	16	18	20	22
7	PS500CC	POOL S500 COVER CAP	8	10	12	14	16	18	20	22
8	PZRA15	POOL MULTI SERIES RAIL 15'	16	20	24					
	PZRA24	POOL MULTI SERIES RAIL 24'				28	32	36		
	PZRA30	POOL MULTI SERIES RAIL 30'							40	44
9	14455110	TYPE HI-LO THREAD SELF TAPPING SCREW W/WASHER 5/8 SS 316 PASSIVATION #2 #12-14 X 1-1/4 "	32	40	48	56	64	72	80	88
10	14455032	PAN HEAD #3 SCREW #12-14 X 1,25" SS316	56	70	84	98	112	126	140	154
11	02581536	WALL BRACKET 52"	2	2	2	2	2	2	2	2
	02581541	WALL BRACKET 54"	2	2	2	2	2	2	2	2
12	14172209	PHILLIPS PAN HEAD 1/4"-20 X 3/4", MIN YIELD 80 KSI	52"	30	30	30	30	30	30	30
			54"	32	32	32	32	32	32	32
13	14072620	FLANGED NUT 1/4"-20 X 15/64", MIN YIELD 80 KSI	52"	30	30	30	30	30	30	30
			54"	32	32	32	32	32	32	32
14	SEE PAGE 3	POOL WALL	SEE PAGE 3							



<b>TOLÉRANCE GÉNÉRALE / GENERAL TOLERANCE</b> PROCÉDÉ / PROCESS N/A DEC. N/A				4000 Boul. Casavant Ouest, Saint-Hyacinthe, (Quebec) Quebec, Canada, J2S 9E3 T (450) 774-6953 F (450) 774-4970	
ANGLE N/A		UNITS: INCH (MM)		<b>PROJET / PROJECT:</b> <b>COMPLIANCE TO APSP-4</b>	
REF. SCALE 		DESCRIPTION: <b>S500 SERIES SWIMMING POOLS 52"-54"</b>		NO. PIÈCE / PARTNO: N/A	
DROITS D'AUTEUR / COPYRIGHT LE PRÉSENT DOCUMENT ET TOUTES INFORMATIONS AFFÉRENTES SONT LA PROPRIÉTÉ UNIQUE DU GROUPE VIF INC. TOUTE REPRODUCTION EN TOUT OU EN PARTIE EST INTERDITE SANS L'AUTORISATION ÉCRIT DU CLIENT. ALL INFORMATION CONTAINED OR PERTAINING TO THIS DOCUMENT IS THE SOLE PROPERTY OF GROUPE VIF INC. ANY REPRODUCTION IN PART OR AS A WHOLE WITHOUT THE WRITTEN AUTHORIZATION OF THE CLIENT IS FORBIDDEN.		MATÉRIAU / MATERIAL: N/A		VOLUME: N/A	
FINITION / FINISH N/A		POIDS / WEIGHT: N/A		<b>REV:0</b>	
DESS. PAR / DRAW BY: BLAMBERT		DATE: 2025-06-10		APP. PAR / APP. BY: SEE PAGE 3	
DWG SIZE <b>B</b>		ECHELLE / SCALE: N/A		PAGE / SHEET 2 OF 3	

8 7 6 5 4 3 2 1

**ROUND ALUMINUM WALL CONFIGURATION 54"**

ITEM#	54"	POOL SIZE	12'	15'	18'	21'	24'	27'	30'	33'
	PWA255412WSTD	12'	1							
	PWA255412GSTD		1							
	PWA285412WSTD		1							
	PWA285412GSTD		1							
	PWA325412WSTD		1							
	PWA325412GSTD		1							
	PWA255415WSTD	15'		1						
	PWA255415GSTD			1						
	PWA285415WSTD			1						
	PWA285415GSTD			1						
	PWA325415WSTD			1						
	PWA325415GSTD			1						
	PWA255418WSTD	18'			1					
	PWA255418GSTD				1					
	PWA285418WSTD				1					
	PWA285418GSTD				1					
	PWA325418WSTD				1					
	PWA325418GSTD				1					
	PWA255421WSTD	21'				1				
	PWA255421GSTD					1				
	PWA285421WSTD					1				
	PWA285421GSTD					1				
	PWA325421WSTD					1				
	PWA325421GSTD					1				
	PWA255424WSTD	24'					1			
	PWA255424GSTD						1			
	PWA285424WSTD						1			
	PWA285424GSTD						1			
	PWA325424WSTD						1			
	PWA325424GSTD						1			
	PWA255427WSTD	27'						1		
	PWA255427GSTD								1	
	PWA285427WSTD								1	
	PWA285427GSTD								1	
	PWA325427WSTD								1	
	PWA325427GSTD								1	
	PWA255430WSTD	30'							1	
	PWA255430GSTD								1	
	PWA285430WSTD								1	
	PWA285430GSTD								1	
	PWA325430WSTD								1	
	PWA325430GSTD								1	
	PWA255433WSTD	33'								1
	PWA255433GSTD									1
	PWA285433WSTD									1
	PWA285433GSTD									1
	PWA325433WSTD									1
	PWA325433GSTD									1

REVISIONS				
REV.	DESCRIPTION	DATE	DRAWN BY	APPROVED
0	INITIAL RELEASE	2025-06-10	BLAMBERT	REFER TO WORK RESPONSIBILITIES TABLE



WORK RESPONSIBILITIES TABLE	
TECHNICAL DRAWING REPRESENTING THE DESIGN CARRIED OUT BY VIF DATED 2025-05-12, DRAWN BY:	BENOIT LAMBERT
DRAWING PRODUCED UNDER THE SUPERVISION OF:	JUAN F. HENAO P.ENG, M.SC.A.
MATERIALS AND DIMENSIONS IN DRAWING ARE CONSISTENT WITH THE STRUCTURAL ANALYSIS PRESENTED IN REPORT: "2001453-01-1_A_STRUCTURAL-ANALYSIS-ON-OVAL-AND-ROUND-POOLS.PDF"	JUAN F. HENAO P.ENG, M.SC.A.

**ROUND STEEL WALL CONFIGURATION 52"**

ITEM#	52"	POOL SIZE	12'	15'	18'	21'	24'	27'	30'	33'
	PWS175212WSTD	12'	1							
	PWS175212GSTD		1							
	PWS175215WSTD	15'		1						
	PWS175215GSTD			1						
	PWS175218WSTD	18'			1					
	PWS175218GSTD				1					
	PWS175221WSTD	21'				1				
	PWS175221GSTD					1				
	PWS175224WSTD	24'					1			
	PWS175224GSTD						1			
	PWS175227WSTD	27'						1		
	PWS175227GSTD							1		
	PWS175230WSTD	30'							1	
	PWS175230GSTD								1	
	PWS175233WSTD	33'								1
	PWS175233GSTD									1

<b>TOLÉRANCE GÉNÉRALE / GENERAL TOLERANCE</b>			4000 Boul. Casavant Ouest, Saint-Hyacinthe, (Québec) Québec, Canada, J2S 9E3 T (450) 774-6933 F (450) 774-4970	
PROCÉDÉ / PROCESS N/A			PROJET / PROJECT: <b>COMPLIANCE TO APSP-4</b>	
DEC. N/A		DESCRIPTION: <b>S500 SERIES SWIMMING POOLS 52"-54"</b>		
ANGLE N/A		NO. PIÈCE / PART NO: N/A	VOLUME: N/A	
UNITS: INCH (MM)		MATÉRIAU / MATERIAL: N/A	POIDS / WEIGHT: N/A	
REF. SCALE		FINITION / FINISH N/A	<b>REV:0</b>	
DROITS D'AUTEUR / COPYRIGHT: LE PRÉSENT DOCUMENT ET TOUTES INFORMATIONS AFFÉRENTES SONT LA PROPRIÉTÉ UNIQUE DU GROUPE VIF INC. TOUTE REPRODUCTION EN TOUT OU EN PARTIE EST INTERDITE SANS L'AUTORISATION ÉCRIT DU CLIENT.		DESS. PAR / DRAW BY: BLAMBERT	DATE: 2026-06-10	
ALL INFORMATION CONTAINED OR PERTAINING TO THIS DOCUMENT IS THE SOLE PROPERTY OF GROUPE VIF INC. ANY REPRODUCTION IN PART OR AS A WHOLE WITHOUT THE WRITTEN AUTHORIZATION OF THE CLIENT IS FORBIDDEN.		APP. PAR / APP. BY: SEE PAGE 3	DATE: SEE PAGE 3	
DWG SIZE: B	ECHELLE / SCALE: N/A	PAGE / SHEET: 3 OF 3		